



S W Hart & Co ®

MAKE HART MODEL PSDG

Perforated Security Door Grille.

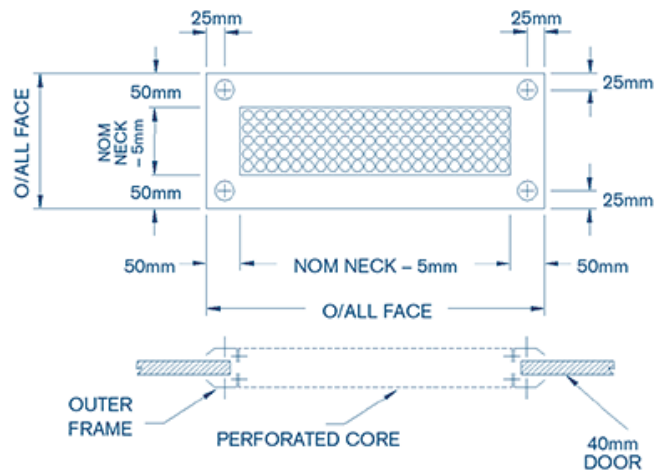
FEATURES :

- ⊙ Stainless steel construction
- ⊙ Electro polish finish or powder coat finish
- ⊙ 1.6mm s/steel outer frame
- ⊙ See core options below
- ⊙ Secure fixings

INSTALLATION :

- ⊙ Prison Doors

DIMENSION :



PSDG-STANDARD SIZES :

NOMINAL NECK MM
600 x 150
600 x 200
600 x 250
600 x 300

- ⊙ Other sizes available on request

CORE OPTIONS :

- ⊙ 0.9mm thk with 1.6 \emptyset holes at 2.54mm centres (36% free area)
- ⊙ 1.6mm thk with 4.76 \emptyset holes at 6.35mm centres (51% free area)
- ⊙ Other perforations available on request